



HOT BOX – Protective Cabinet and heating components for High Internal Temperatures

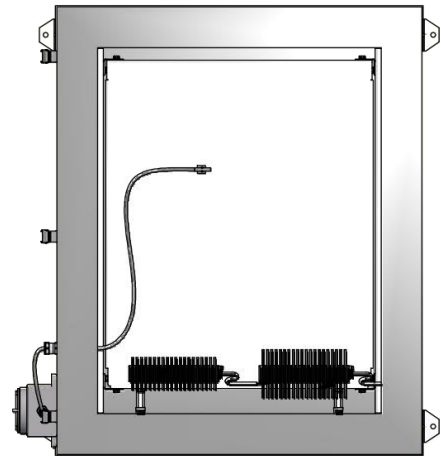
1 Application

In chemical plants and refineries it is often necessary to maintain certain substances in various media at high temperature levels in order to avoid condensation or crystallization during analysis.

Without this high temperature maintain certain analysis or measurements cannot be made that is necessary for process control.

2 Special Features and Advantages

- Sandwich construction with extremely high insulation properties, made from glassfibre reinforced polyester (GRP) with PU- or mineral wool-core.
- The sandwich construction can be modified to meet application requirements, e.g.:
 - ◆ Insulation values
 - ◆ Temperature resistance
 - ◆ Antistatic design GO
 - ◆ Colour (inside/outside)
 - ◆ Mounting elements for installation of instruments



3 Description

The HOT BOX is a special variant of the ARCTIC-VARIO system, combined with heating components.

The design places special emphasis on avoiding thermal bridges between the inner and outer skin of the cabinet, thus ensuring that the heat remains in the cabinet and the outer skin remains cool (even at temperatures of 140 °C in the cabinet).

This is particularly important for applications in hazardous areas where high temperatures of 60° to 140°C can only be reached with sophisticated and expensive equipment.

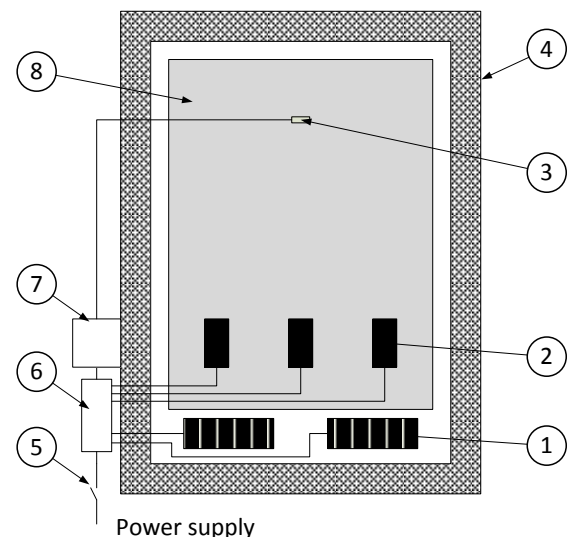
4 Technical Data

See also data sheet [SD022](#)

Protection Degree	IP65
Material	GRP/ PU/ GRP
alternatively	GRP/ MW/PU/ GRP
Heating	Electrically or steam
Wall thickness	Depends on ΔT
Other designs	Upon Request

Heating Scheme (Example)

(see also data sheet [SD015](#))



- Power supply
- 1 Convection heater CP VARITHERM
 - 2 Conduction heater SL BLOCKTHERM
 - 3 Temperature sensor
 - 4 Well insulated protective cabinet
 - 5 On/off switch
 - 6 Terminal box
 - 7 TC Digital controller
 - 8 Mounting plate